

CARBURETOR SETTINGS

Factory carburetor setting for break-in procedure

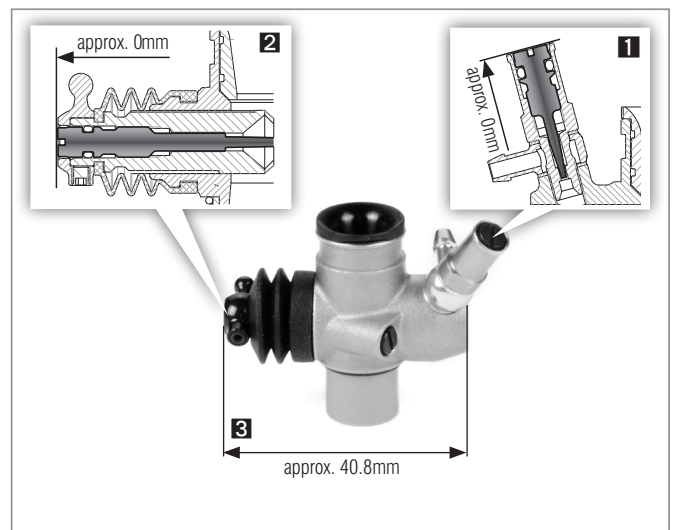
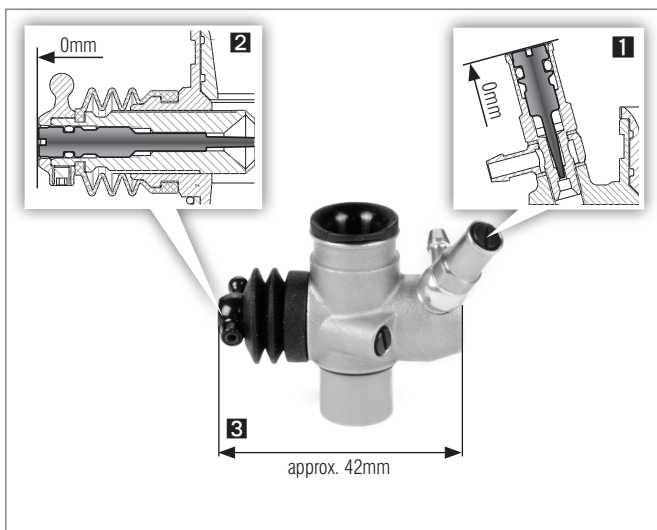
The carburetor comes preset from factory and you have to start the break-in procedure with the following setting:

1 Main High-speed Needle (Upper)	0mm inside the needle body
2 Low-end Needle (Front)	0mm inside the needle body
3 Idle Adjustment Screw	Size measured with carburetor boot compressed approx 42mm

Basic Carburetor Setting after break-in procedure

After you have finished the break-in procedure this is the basic carburetor setting. Any time you get lost return back to this basic setting.

1 Main High-speed Needle (Upper)	approx. 0mm inside the needle body
2 Low-end Needle (Front)	approx. 0mm inside the needle body
3 Idle Adjustment Screw	Size measured with carburetor boot compressed 40.8mm



NUMBER	PRODUCT DESCRIPTION	
630000	FX T300 - COMBO: ENGINE + MUFFLER 2696 + MANIFOLD - SHORT	
630100	FX T300 - 3 PORTS, DLC, JAPAN BEARINGS, BALANCED	

### MUFFLERS

639500	MUFFLER 2.1cc TOURING - EFRA 2696	0
639550	MUFFLER 2.1cc TOURING - EFRA 2696 + MANIFOLD - SHORT	0

### MANIFOLDS

639700	MANIFOLD 2.1cc TOURING - SHORT	0
--------	--------------------------------	---

### GLOW PLUGS

655806	GLOW PLUG - X6 (12)	x
--------	---------------------	---

### SPARE PARTS

338540	FLYWHEEL COLLAR 7MM	0
631103	CRANKCASE T300	x
631710	BACK PLATE	x
631800	EXHAUST SEAL RING (4)	x
631900	ALU CLAMP - SET	x
632107	CRANKSHAFT WITH SILICONE & 2x TUNGSTEN WEIGHTS - DIAMOND COATING	x
633000	SLEEVE, PISTON & CONROD - MATCHED SET	x
634105	CONROD .12	x
634901	T300 WRIST PIN + C-CLIPS	x
635000	ENGINE HEAD - 7 RIBS	x
635607	COMBUSTION CHAMBER	x
635900	ENGINE HEAD SHIM 13.8x20x0.1 (4)	x
635901	ENGINE HEAD SHIM 13.8x20x0.15 (4)	x
635902	ENGINE HEAD SHIM 13.8x20x0.2 (4)	0
636000	CARBURETOR - SET	x
636800	CARBURETOR THERMAL ISOLATOR	x
637801	CARBURETOR SLIDE BOOT - 2-RIBS	x
639910	SPRING FOR MANIFOLD (4)	0
658400	ALU SHIM 4x7x0.7MM & 5x7x0.7MM (1+1)	x
658700	DUST CAP PROTECTOR - SET	x
658950	COMPOSITE CARBURETOR VENTURI - 5.0MM	0
658955	COMPOSITE CARBURETOR VENTURI - 5.5MM	x
659930	SPRING FOR MUFFLER (3)	0

### PROMO

694000	FX ENGINE BAG	
694090	FX TEAM RUCKSACK	
695010S	FX T-SHIRT RED (S)	
695010M	FX T-SHIRT RED (M)	
695010L	FX T-SHIRT RED (L)	
695010XL	FX T-SHIRT RED (XL)	
695010XXL	FX T-SHIRT RED (XXL)	
696901M	FX FLEXFIT CAP (M)	
696901L	FX FLEXFIT CAP (L)	
696902M	FX HIP-HOP CAP (L)	
696902L	FX HIP-HOP CAP (M)	
696910	FX WINTER CAP - RED	
697000	FX TENT	

NUMBER	PRODUCT DESCRIPTION	
697100	FX OUTDOOR FABRIC BANNER 2000x1000MM - RED	
697210	FX PAPER BAG	
697280	FX TAPE	
697310	FX STICKER	x
697400	FX LARGE FLAG VERTICAL 4M	

### HARDWARE

699101	HEX SCREW SB M3x3 (4)	x
699102	HEX SCREW SB M4x6 (4)	0
699200	HEX SCREW SOCKET HEAD CAP M2.5x6 (4)	x
699202	HEX SCREW SOCKET HEAD CAP M2.5x16 (4)	x
699203	HEX SCREW SOCKET HEAD CAP M3x16 (4)	x
699303	WRIST PIN CLIP (4)	x
699400	O-RING 2.0x1.5 (4)	x
699402	O-RING 2.5x1.5 (4)	x
699404	O-RING 3.3x1.0 (4)	x
699405	O-RING 10x1.0 (4)	x
699410	O-RING 13x1.5 (4)	x
699411	O-RING 17x1.0 (4)	x
699501	SLEEVE PIN 1x6 (4)	x
699611	BALL-BEARING 12x21x5 - JAPAN	x
699612	BALL-BEARING 7x17x5 - JAPAN	x

### HUDY OPTION PARTS

104200	HUDY FUEL BOTTLE WITH ALUMINUM NECK	
104400	HUDY STAR-BOX ON-ROAD 1/10 & 1/8 - LIPO VERSION	
106200	HUDY MAGIC CLEANING GUM	
106240	HUDY AIR FILTER OIL	
106250	HUDY ENGINE AFTER RUN OIL	
107030	UNIVERSAL FLYWHEEL PULLER	
107050	HUDY PROFESSIONAL ENGINE TOOL KIT FOR .12 ENGINE	
107581	WRENCH-GLOWPLUG / CLUTCHNUT 10 MM - LONG	
107610	EXHAUST SPRING / CASTER CLIP REMOVER - V2	
107840	CLEANING BRUSH LARGE - SOFT	
107841	CLEANING BRUSH LARGE - MEDIUM	
107842	CLEANING BRUSH LARGE - STIFF	
107846	CLEANING BRUSH SMALL - SOFT	
107847	CLEANING BRUSH SMALL - MEDIUM	
107848	CLEANING BRUSH SMALL - STIFF	
111545	LIMITED EDITION - ALLEN WRENCH 1.5 MM	
112045	LIMITED EDITION - ALLEN WRENCH 2.0 MM	
112545	LIMITED EDITION - ALLEN WRENCH 2.5 MM	
154065	LIMITED EDITION - SLOTTED SCREWDRIVER FOR ENGINE 4.0 MM - LONG	
181090	HUDY SPECIAL TOOL FOR TURNBUCKLES & NUTS	
182010	HUDY FLYWHEEL/CLUTCH MULTI-TOOL	